

BALDOR® • RELIANCE 

Product Information Packet

XEFRPM25154

15HP,1800,460V,HL254T,TEFC,F1

Part Detail							
Revision:	H	Status:	PRD/A	Change #:		Proprietary:	No
Type:	AC	Elec. Spec:	LS7016A	CD Diagram:	422927-001	Mfg Plant:	
Mech. Spec:		Layout:	619702-001	Poles:	04	Created Date:	06-03-2016
Base:		Eff. Date:	04-23-2019	Leads:			

Specs			
Catalog Number:	XEFRPM25154		
Enclosure:	TEFC		
Frame:	HL254T		
Frame Material:	Exposed Laminations		
Output @ Frequency:	15.000 HP @ 60 HZ		
Synchronous Speed @ Frequency:	1800 RPM @ 60 HZ		
Voltage @ Frequency:	460.0 V @ 60 HZ		
Agency Approvals:	CCSA US		
Auxillary Box:	No Auxillary Box		
Base Indicator:	Rigid		
Bearing Grease Type:	Polyrex EM (-20F +300F)		
Constant Torque Speed Range:	1-60		
Current @ Voltage:	15.000 A @ 460.0 V		
Duty Rating:	CONT		
Feedback Device:	NO FEEDBACK		
Frame Prefix:	HL		
Heater Indicator:	No Heater		
Insulation Class:	H		

IP Rating:	IP54		
KVA Code:	G		
Mounting Arrangement:	F1		
Product Family:	Fan - Centrifugal		
Pulley End Bearing Type:	Ball		
Pulley Face Code:	Standard		
Shaft Ground Indicator:	No Shaft Grounding		
Shaft Rotation:	Reversible		
Motor Standards:	NEMA		
Thermal Device - Bearing:	None		
Thermal Device - Winding:	Normally Closed Thermostat		

Nameplate 000613007QF												
	DUTY	HP	RPM	AMPS	VOLTS	HZ						
	CONT	15	1800	15.0	460	60						
CAT.NO.	XEFRPM25154		SPEC. NO.		H25-A000-0001							
SER.NO.			FRAME SIZE		HL254T		TYPE PSM					
AMB.	40	S.F.	1.15	ENCL.	TEFC	PH	3	DESIGN	B	CODE	G	
NEMA NOM. EFF	94.9		GUARANTEED EFFICIENCY		94		POWER FACTOR		95.8		INSUL. CLASS	H
D.E. BRG.	45BC02J30X		O.D.E. BRG.		35BC02J30X							
VPWM INVERTER DUTY @1.0SF	CHP HZ	60-90		CT HZ	1-60		VT HZ	0-60				
	X/T											

Nameplate 000692000VY		
IS <input type="text"/>	MEAS OPEN CIRCUIT VOLTAGE VOLTS AT <input type="text"/>	RPM.
EXCEED L.R. <input type="text"/>	MTR PH CURRENT SHOULD NOT	AMPS RMS PEAK TO
AVOID DEMAGNETIZATION		

Parts List		
Part Number	Description	Quantity
WS313088	WS H25-A000-0001	1.000 EA
RA309317	RA H25-A000-0001	1.000 EA
411716004A	219P039 - 219P039 - LA	1.000 EA
000692000FP	NP, WARNING LIFT INSTRUCTIONS	1.000 EA
418057747A	METAL FASTENER	8.000 EA
000613007QF	NP,RPM AC - XE WITH CERTIFIED LOGO	1.000 EA
000613006ABP	RPM-XE,EXTREME EFFICIENCY,UL LISTED	1.000 EA
000692000VY	PERMANENT MAGNET MOTOR NAMEPLATE	1.000 EA
422927001	C/D LABEL	1.000 EA
004824007AB	PAINT,XT	0.100 EA
418057243A	GROOVE PIN	1.000 EA
807504052C	FL180 FRAME	1.000 EA
810101004AAC	BRKT,ODE,LSPM180 (FL250)	1.000 EA
810101003AAA	BRKT,DE,LSPM180 (FL250)	1.000 EA
HA4054	SHORT T-DRAIN FITTING, .125" N.P.T.	1.000 EA
HA4054	SHORT T-DRAIN FITTING, .125" N.P.T.	1.000 EA
004824015A	GREASE POLYREX EM	0.100 LB
036000050JB	M8-1,25 X 50 MHHCS	2.000 EA
032018014AK	HHCS 1/4-20X1-3/4 PLTD.	3.000 EA
415045002J	SLGR	1.000 EA
415045002H	SLGR	1.000 EA
400638001D	WAVEN (Customer number 43699)	1.000 EA
034017012AB	LCKW 1/4 STD. PLATED 034017012AF	4.000 EA
418150003A	GREASE FITTING CAP	2.000 EA

Parts List (continued)		
Part Number	Description	Quantity
035000001A	ALFTG 1/8" 1610-BL	1.000 EA
035000001A	ALFTG 1/8" 1610-BL	1.000 EA
036140001B	METRIC EYEBOLT	2.000 EA
033102012AG	HXNUT LEAD CONN	4.000 EA
033070200HH	STUD 1/4 X 12.5	4.000 EA
033102012AG	HXNUT LEAD CONN	4.000 EA
415000103G	TLUG	1.000 EA
415072001A	CLAMP	1.000 EA
417733001A	GSK C/ BOX BASE	2.000 EA
034180010DA	KEY 1/4X1/4X1-1/4L	1.000 EA
078546001G	FAN 180	1.000 EA
807505505A	COVER,FAN,HL210	1.000 EA
036000012HB	HHCS M6X12MM LONG PLATED	4.000 EA
036000045JB	M8-1.25 X 45MM HXHCS	4.000 EA
418010006A	CAST,MPLATE,180-280,EX1,7BY	1.000 EA
418018074A	GROUND LABEL G100 METRIC 160 D.C.	1.000 EA
406673002AE	2" CAP PLUG	1.000 EA
036620009AB	M8 EXTERNAL LK WASHER	1.000 EA
036601008AB	M6 FLAT WASHER	4.000 EA
706320004C	CBOX REPL 705028-2C MTRC	1.000 EA
075459000A	C/BOX CVR W75459	1.000 EA
065564000D	GASK 210-250	1.000 EA
036000012HB	HHCS M6X12MM LONG PLATED	2.000 EA
034180024FA	KEY 3/8X3/8X3 L	1.000 EA

004824007K	SPECIAL PAINT	0.100 EA
------------	---------------	----------

S. O.	FRAME	HP	TYPE	PHASE	HERTZ	RPM
--	HL254T	15	PSM	3	60	1800
VOLTS	AMPS	DUTY	AMB°C	INSUL	S. F.	NEMA DESIGN
460	15.6	CONT	40	H	1.15	B
CODE LETTER	ENCL	ROTOR INERTIA (lb-ft ²)		STATOR RES. @ 25°C OHMS (BETWEEN LINES)		
G	TEFC	.73		.7181		TYPICAL DATA

PERFORMANCE


LOAD	HP	AMPERES	RPM	POWER FACTOR %	EFFICIENCY %
NO LOAD	0	8.7	1800	4.40	N/A
1/4	3.75	7.2	1800	54.1	90.3
2/4	7.49	8.9	1800	84.6	93.8
3/4	11.2	12.0	1800	93.4	94.3
4/4	15.0	15.6	1800	95.8	94.1
5/4	18.7	19.5	1800	96.4	93.6

SPEED TORQUE

	RPM	TORQUE (% FULL LOAD)	TORQUE (lb-ft)	AMPERES
LOCKED ROTOR	0	182	79.6	111.2
PULL OUT	1800	273	119.4	54.6
FULL LOAD	1800	100	43.8	15.6

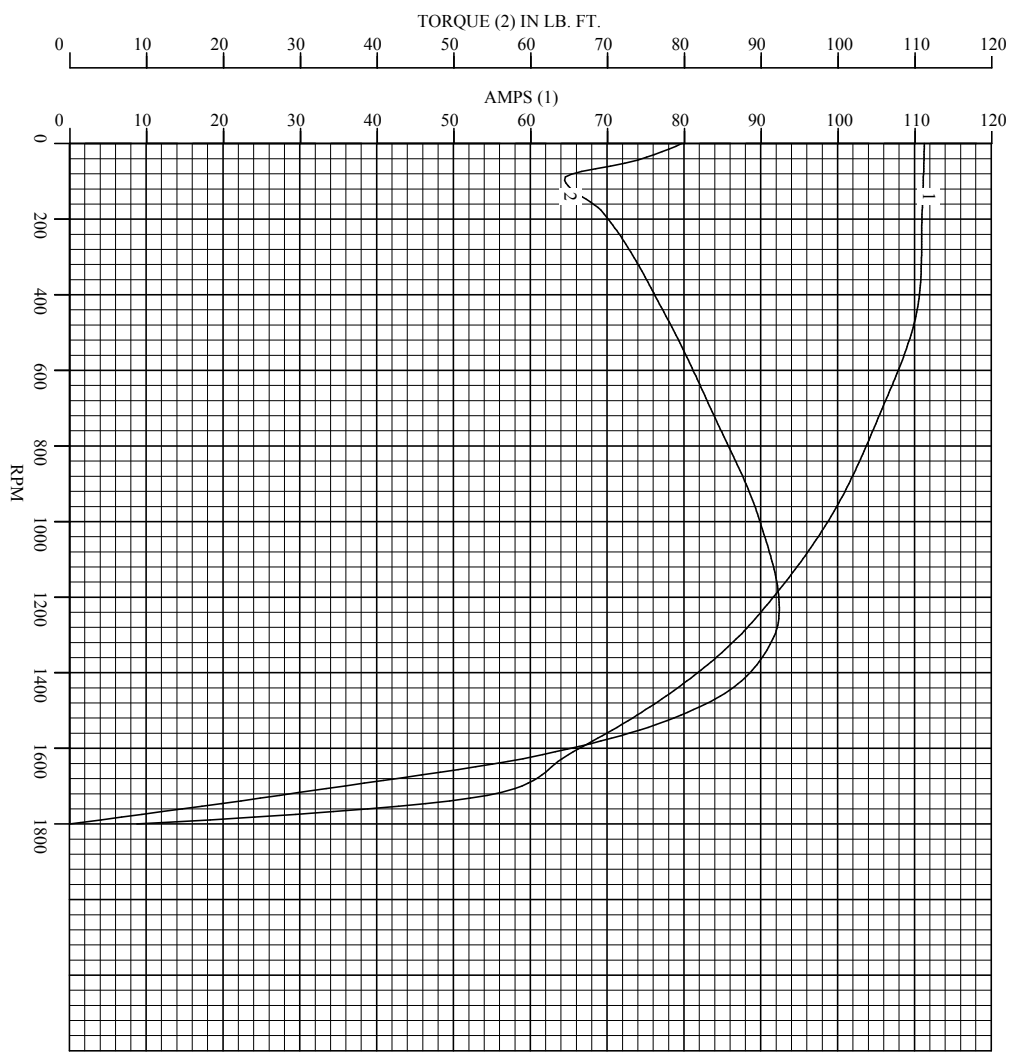
THIS IS A PERMANENT MAGNET MOTOR
 GENERATED OPEN CIRCUIT LINE-LINE VOLTAGE at 25°C = 19.3 VOLTS PER 100 RPM

REMARKS:

 A MEMBER OF THE ABB GROUP	DR. BY CAD	LSPM MOTOR
	CK. BY SEM APP. BY SEM DATE 05/25/2016	PERFORMANCE DATA IS7016A ISSUE DATE 05/25/2016

S. O.	--	HERTZ	60	AMB°C	40	CODE LETTER	G
FRAME	HL254T	RPM	1800	INSUL.	H	WK ² (lb-ft ²)	.73
HP	15	VOLTS	460	S.F.	1.15	NEMA DESIGN	B
TYPE	PSM	AMPS	15.6	ENCL.	TEFC	STATOR RES. @ 25°C	.7181
PHASE	3	DUTY	CONT	OHMS (BETWEEN LINES)			

Amps & Torque vs. RPM
During Acceleration



TYPICAL DATA

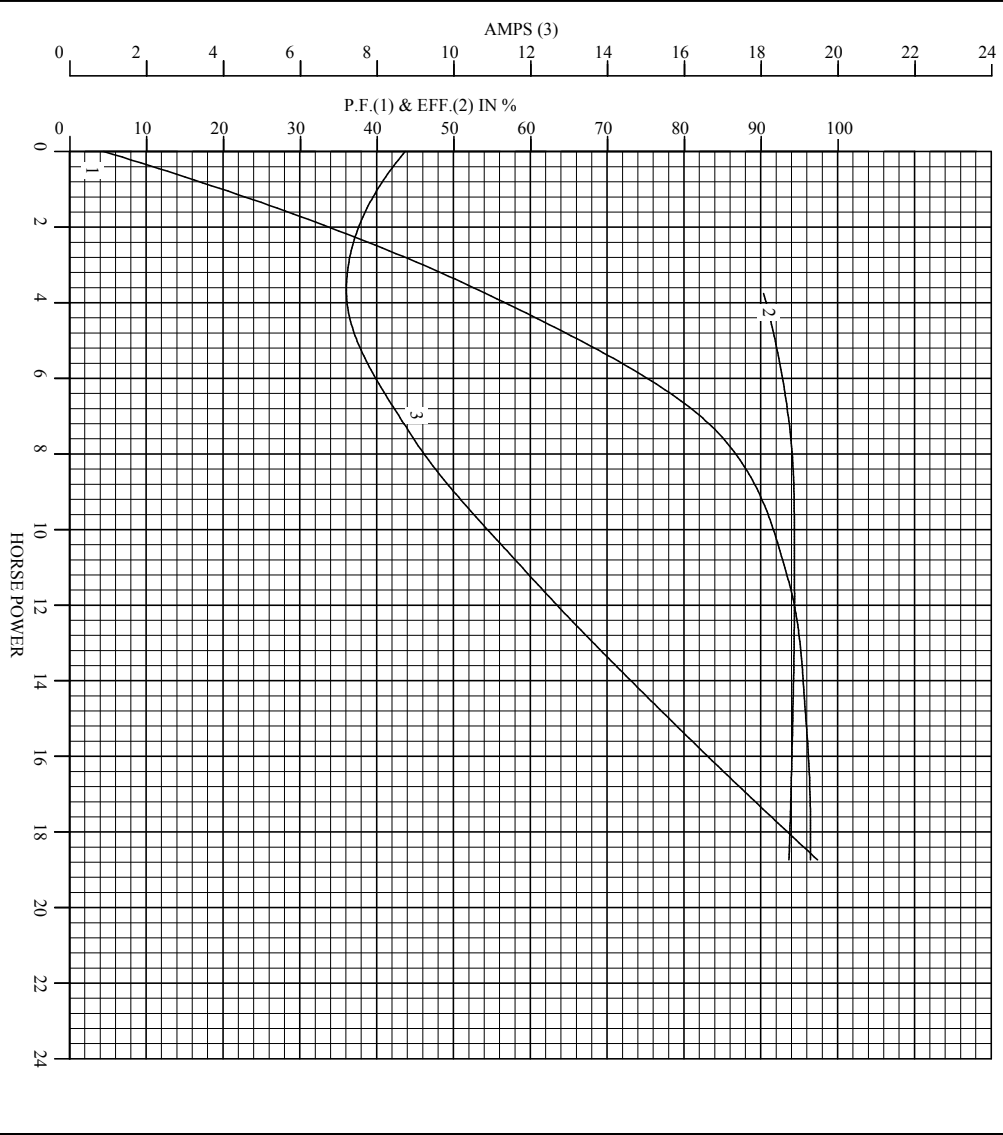
BALDOR
A MEMBER OF THE ABB GROUP

DR. BY	CAD	
CR. BY	RHM	
APP. BY	RHM	
DATE	05/25/2016	

ISPM MOTOR PERFORMANCE CURVES ISSUE DATE L57016A 05/25/2016

S. O.	--	HERTZ	60	AMB°C	40	CODE LETTER	G
FRAME	HL254T	RPM	1800	INSUL.	H	WR ² (1b-ft ²)	.73
HP	15	VOLTS	460	S.F.	1.15	NEMA DESIGN	B
TYPE	PSM	AMPS	15.6	ENCL.	TEFC	STATOR RES. @ 25°C	.7181
PHASE	3	DUTY	CONT	OHMS (BETWEEN LINES)			

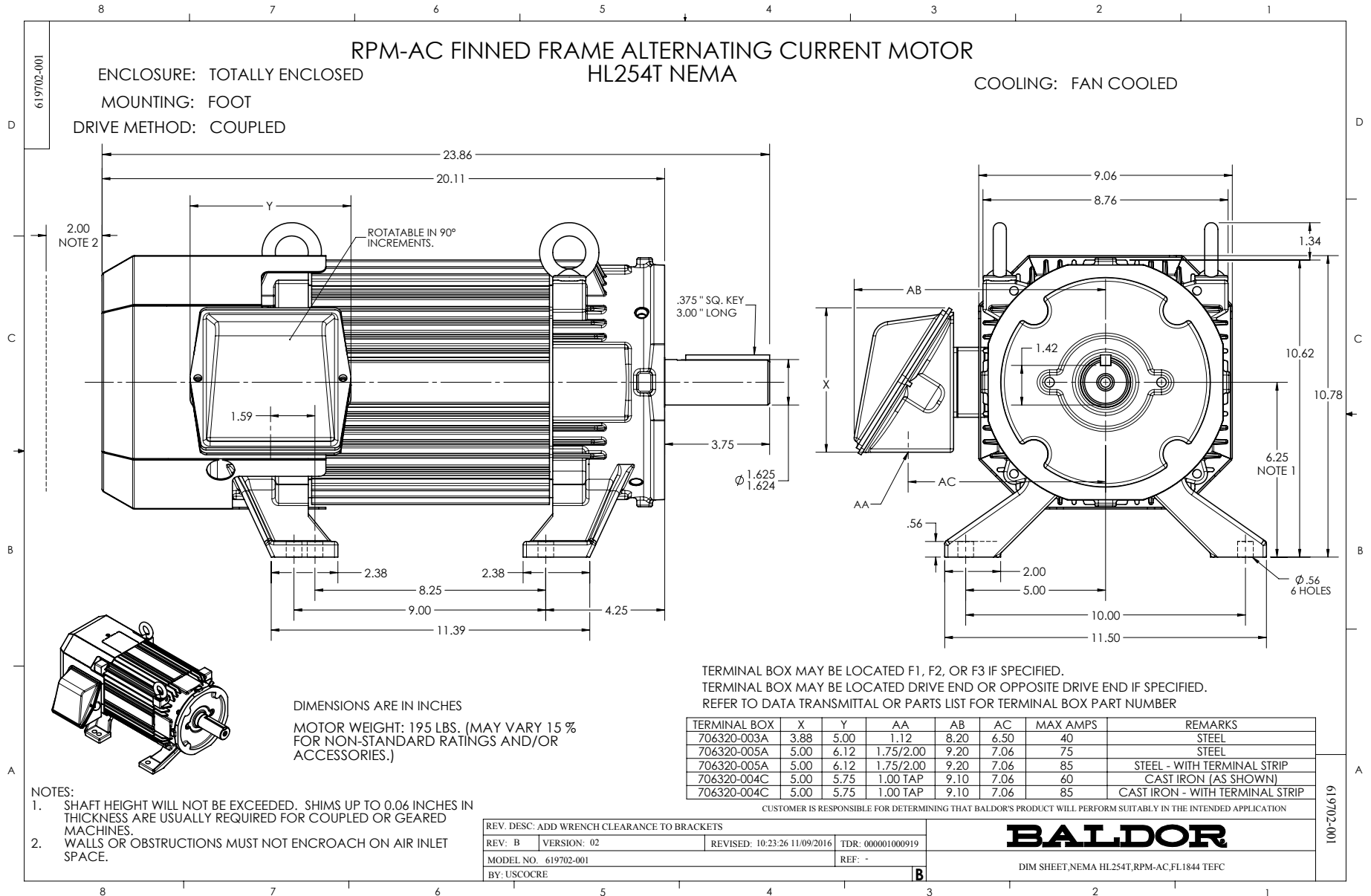
Performance Data vs. HP
At Synchronous Speed



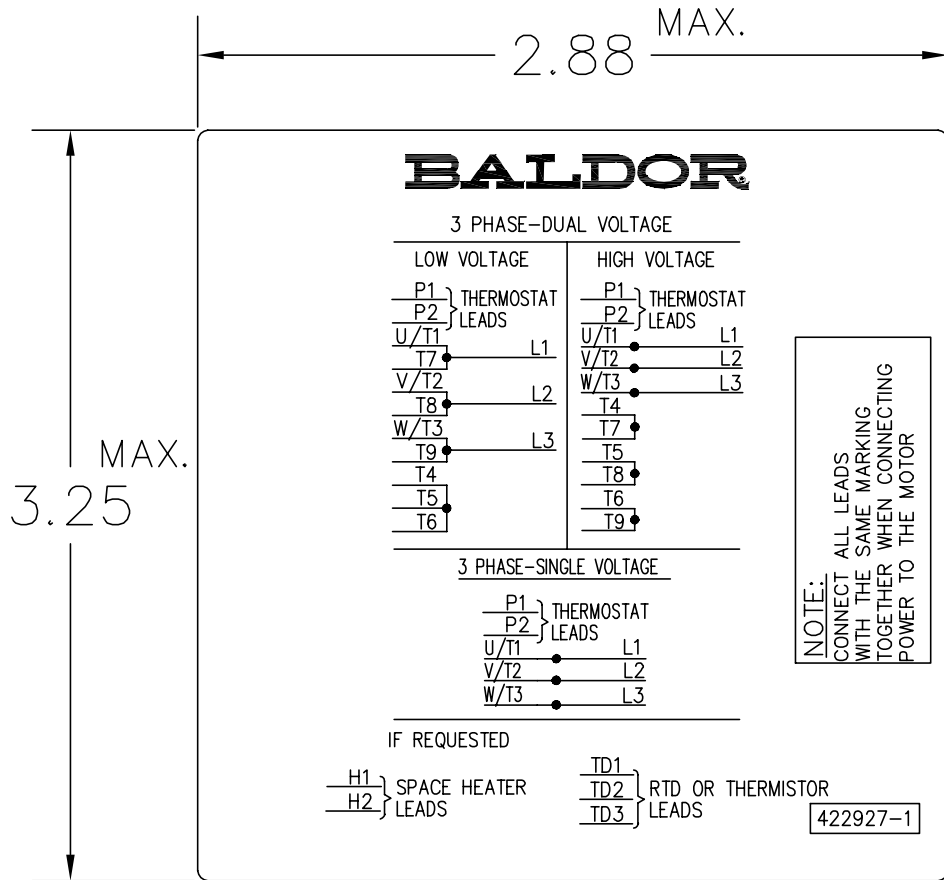
BALDOR
A MEMBER OF THE ABB GROUP

DR. BY CAD
CR. BY RHM
APP. BY RHM
DATE 05/25/2016

ISPM MOTOR PERFORMANCE CURVES
ISSUE DATE L57016A 05/25/2016



422927-001



NOTE:
DATA TO BE SIZED
SO THAT IT FITS INTO
MATERIAL DECAL
DIMENSIONS. MAKE
LETTERS & NUMBERS
AS LARGE AS POSSIBLE.

MATERIAL: CERAMATIC DGF-P4
PERMA GRIP ADHESIVE

ALL LETTERS, NUMBERS
AND LINES TO BE BLACK
ON WHITE BACKGROUND.

422927-001

REV. DESC: CHANGE BACKGROUND COLOR FROM GOLD TO WHITE		
REV. LTR: B	VERSION: 02	TDR: 000000788708
FILE: \RGG\00000\203	REVISED: 08:09:29 03/04/2013	
MTL: -	BY: RGGWT	

BALDOR

EXTERNAL CONNECTION LABEL

SH 1 of 1

Marketing maintained PDF of MN442:

<http://www.baldor.com/mvc/DownloadCenter/Files/mn442>